





**AERONOX®**  
**Quick Disconnect Ground Adaptor**  
**For Various Wilcox Shrouds**

**TO ATTACH THE QUICK DISCONNECT GROUND ADAPTER TO THE HELMET INTERFACE OF THE WILCOX 62114G01 LO-PRO RAIL SHROUD:**


**STEP 1** REMOVE THE INTERFACE PLATE BY INSERTING A FLATHEAD SCREWDRIVER INTO THE LOOP OF THE MOUNT RELEASE BUTTON AND REMOVING THE RETAINING SCREW CCW,




**STEP 2** WHILE PUSHING DOWN ON GROUND ADAPTER AND UP ON BACK PLATE, THE LOCK LEVER WILL AUTOMATICALLY PIVOT OUT OF THE WAY AND THE TWO WILL




**STEP 3** INTERFACE PLATE REMOVED.




**STEP 4** WITH THE LOCK LEVER STILL IN THE UP POSITION, MOUNT THE GROUND ADAPTER ONTO THE RAIL OF THE LO-PRO RAIL SHROUD, SLIDING THE GROUND ADAPTER UPWARDS.



**STEP 5** PIVOT THE LOCK LEVER TO THE CLOSED POSITION.



**STEP 6** REINSERT THE SCREW CW, SECURING HAND TIGHT SO THE SCREW HEAD IS FLUSH WITH THE MOUNT.



**TO DETACH THE QUICK DISCONNECT GROUND ADAPTER FROM THE HELMET INTERFACE OF THE WILCOX 62114G01 LO-PRO RAIL SHROUD:**

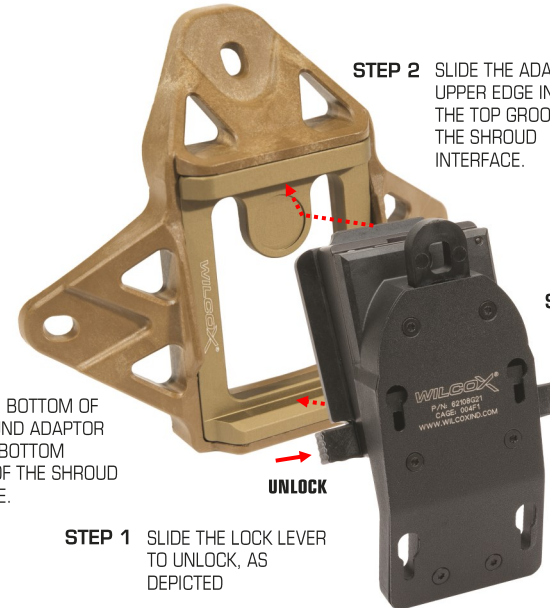
Step 1. Follow instructions for attaching in reverse.



**AERONOX®**  
**Quick Disconnect Ground Adaptor**  
**For Various Wilcox Shrouds**

**TO ATTACH THE QUICK DISCONNECT GROUND ADAPTER TO THE HELMET INTERFACE OF THE WILCOX L4 SERIES SHROUDS:**

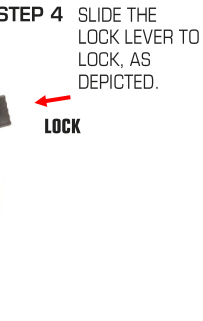
**STEP 1** SLIDE THE LOCK LEVER TO UNLOCK, AS DEPICTED



**STEP 2** SLIDE THE ADAPTER UPPER EDGE INTO THE TOP GROOVE OF THE SHROUD INTERFACE.

**STEP 3** PIVOT THE BOTTOM OF THE GROUND ADAPTER INTO THE BOTTOM GROOVE OF THE SHROUD INTERFACE.

**STEP 4** SLIDE THE LOCK LEVER TO LOCK, AS DEPICTED.



**TO DETACH THE QUICK DISCONNECT GROUND ADAPTER FROM THE HELMET INTERFACE OF THE WILCOX L4 SERIES SHROUDS:**

Step 1. Slide the Lock Lever to the “unlocked” position and remove.

© Wilcox Industries Corp. 2017-2018. All rights reserved. Printed in USA. Wilcox's AERONOX Mount / Battery Pack is Patent Pending. WILCOX® and AERONOX® are federally registered trademarks of Wilcox Industries Corp. All other trademarks and registered trademarks in this manual are the property of their respective companies. Specifications and other data are subject to change without notice. **EAR Controlled: Commerce license may be required for export or re-export.**