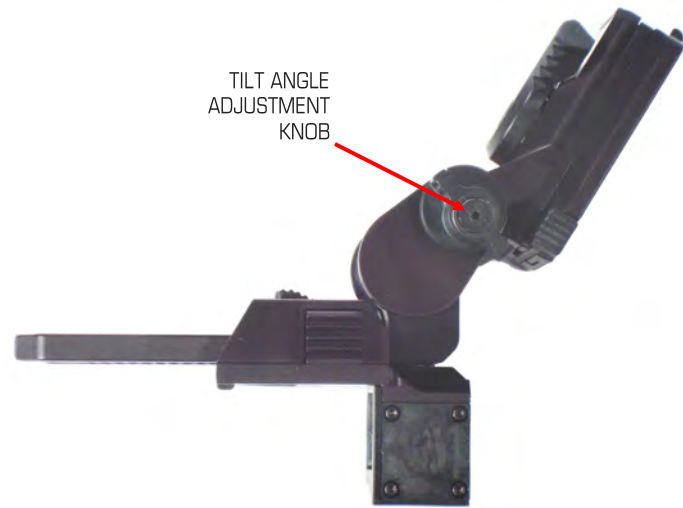
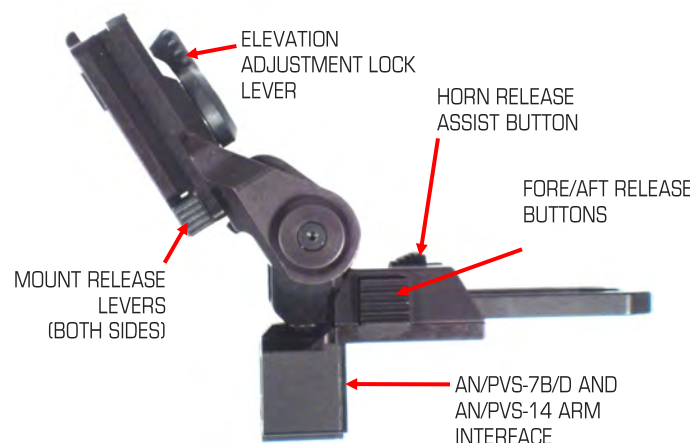


**PRODUCT IDENTIFICATION**



**Features of the L4 G11 Mount (Left View)**



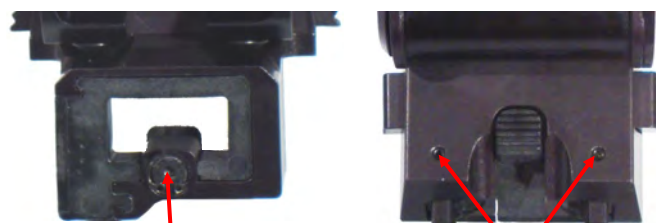
**Features of the L4 G11 Mount (Right View)**

**CARE AND MAINTENANCE**

Clean the Mount by flushing away dirt with fresh water and/or wiping down the assemblies with a clean, damp cloth. If used in a salt water environment, flushing with fresh water and drying after use is recommended. If used extensively in a salt water environment, lightly lubricate stainless steel parts as needed.

Horizontal adjustment and release mechanisms that are not kept free from debris may bind, and the assembly may not lock the mount into the up or down position. Lubricate lightly as needed.

Check the Fore/Aft Adjustment for any looseness in slide, and the NVG Interface to the goggle for any looseness in the goggle lock mechanism. If necessary, gently tighten the screws to remove unwanted play with the appropriate Hex driver. Note that



INSERT 1/16 HEX DRIVER TO ADJUST:

**Tightening the Horn Interface to the Goggle**

INSERT .050 HEX DRIVER TO ADJUST: CCW TO LOOSEN, CW TO TIGHTEN

**Tightening the**

**WARRANTY STATEMENT**

Based on the Magnuson-Moss Warranty Act, Wilcox Industries Corp. offers no express warranty on its product line. However, Wilcox Industries Corp. recognizes its obligation concerning implied warranty.

Wilcox Industries Corp. mounts will be serviced or replaced in accordance with the following schedule at no cost to the purchaser for defects in materials or workmanship. Shipment will be made via UPS ground prepaid to any continental United States destination.

NVG Filter Covers	90 Days
Mount Accessories and NVG Lanyards	One Year
Mounts (Unless otherwise specified)	Lifetime
Mounts with Electrical System	One Year

Wilcox Industries Corp. must be contacted to assign a **Return Merchandise Authorization (RMA) Number** prior to return shipment.

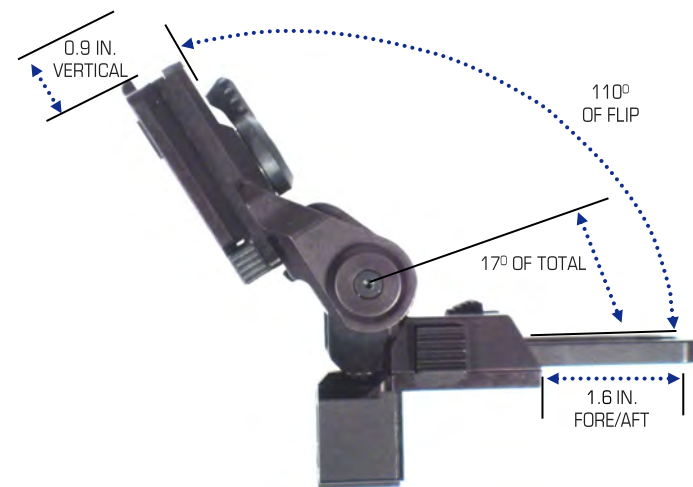
To expedite return, repair, and/or replacement of the mounts purchased under a military contract Wilcox Industries Corp. will accept any package at the address below, clearly marked:

**Wilcox Industries Corp.**  
**RMA # \_\_\_\_\_**  
**25 Piscataqua Drive**  
**Newington, NH 03801**  
**603-431-1331**

Be sure to retain your packing list as proof of delivery date when making a warranty claim. If proof of delivery acceptance is not available, the warranty period shall start from the date of manufacture that is laser engraved on the mounts. Warranty is void if date of manufacture is defaced.

The mounts should be securely packaged, accompanied by a letter including sender's name, address, daytime phone number, date of purchase, date of manufacture, lot number and a description of the problem or work to be performed.

**ADJUSTMENT RANGES**



**(G11 Side View)**

Manufactured by:



**Wilcox Industries, Corp.**  
**25 Piscataqua Drive**  
**Newington, NH 03801-7816**  
**Phone: 603-431-1331**  
**Fax: 603-431-1221**

**WWW.WILCOXIND.COM**

**When performing operations that could cause entanglement, ensure that the break away feature is not obstructed in any way.**

**WARNING**

**GENERAL SAFETY WARNINGS**

**OPERATION AND MAINTENANCE INSTRUCTIONS FOR THE**

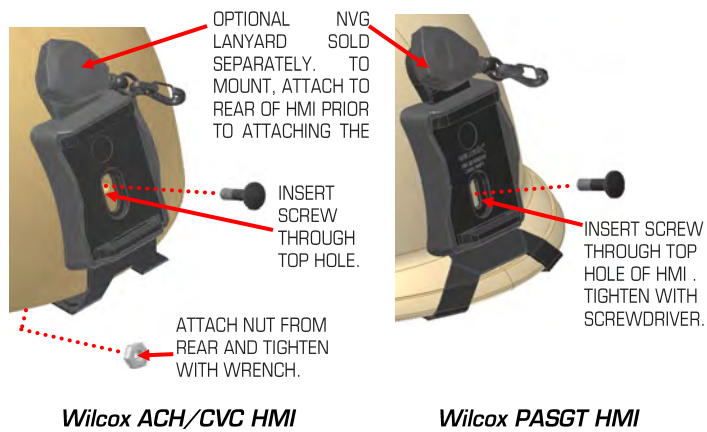
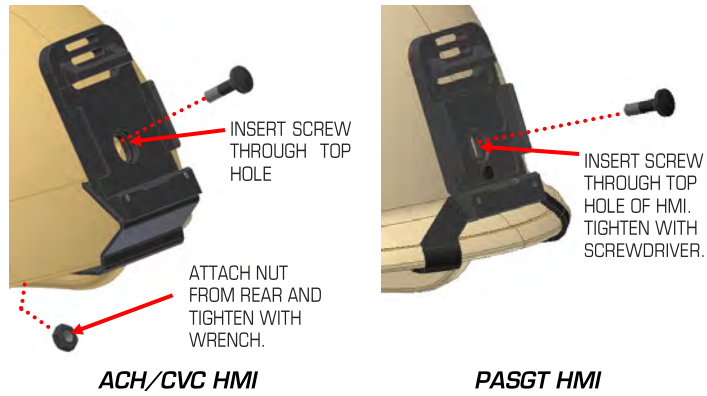
**L4 G11 Family of Non-Breakaway Mounts with Non-Breakaway Base and Horn Interface Shoe (Accommodates AN/PVS-7B/7D and AN/PVS-14) CAGE: 004F1**



© 2011 Wilcox Industries Corp. All rights reserved. Printed in USA. Wilcox's line of L4 NVG Mounting Systems is Patent Pending. Wilcox® is a registered trademark of Wilcox Industries Corp. Tobyhanna™ is a trademark of Tobyhanna Army Depot (TYAD). All other trademarks and registered trademarks in this manual are the property of their respective companies. Specifications and other data are subject to change without notice. **EAR Controlled: Commerce license may be required for export or re-export.**

## INSTALLATION

### To Attach the Helmet Mount Interface (HMI) to the Helmet



### To Attach the (Optional) Ratchet Strap to the Helmet:

(ACH/CVC DEPICTED)



### To Detach the (Optional) Ratchet Strap from the Helmet:

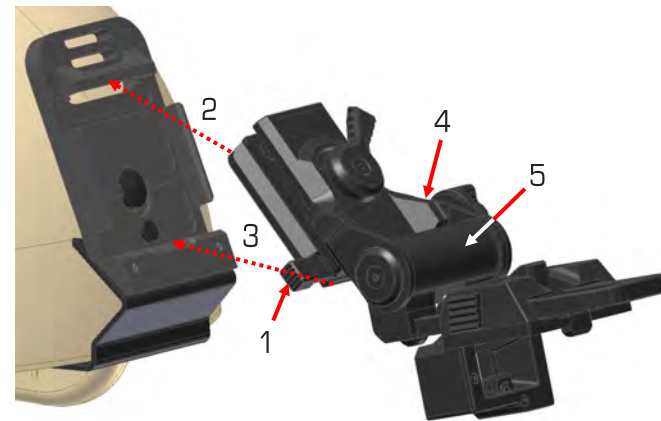
(ACH/CVC DEPICTED)



### To Attach the NVG Mount:

(HMI DEPICTED)

1. SLIDE THE MOUNT RELEASE LEVER TO THE LEFT USING THE RIGHT THUMB TO UNLOCK THE MOUNT RELEASE.
2. INSERT THE TOP MOUNTING GUIDE.
3. ROTATE THE MOUNT DOWNWARD UNTIL IT SEATS.
4. SLIDE THE MOUNT RELEASE LEVER TO THE RIGHT USING THE RIGHT FOREFINGER TO SECURE.
5. PRESS THE MOUNT FIRMLY AT THE BASE TO SEAT, ALLOWING THE



### To Detach the NVG Mount:

1. SLIDE THE MOUNT RELEASE LEVER TO THE LEFT USING THE RIGHT THUMB TO UNLOCK THE MOUNT RELEASE (SEE "1", ABOVE).

### To Attach a NVG to the Wilcox NVG Mount:



AN/PVS-7B and 7D Configuration



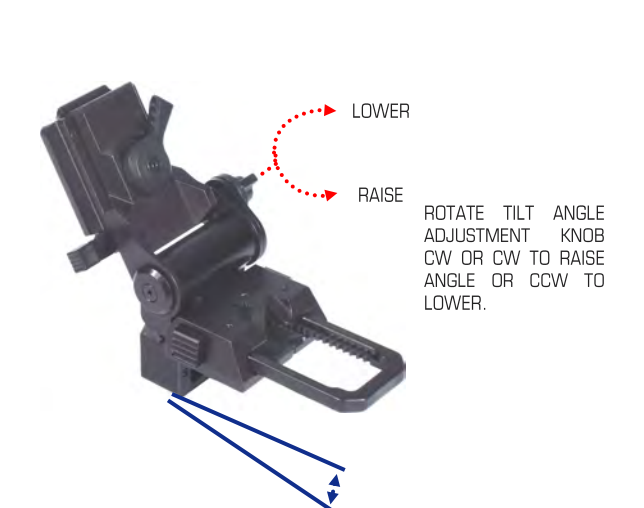
AN/PVS-14 Configuration (Using Fielded J-Arm)

## OPERATION

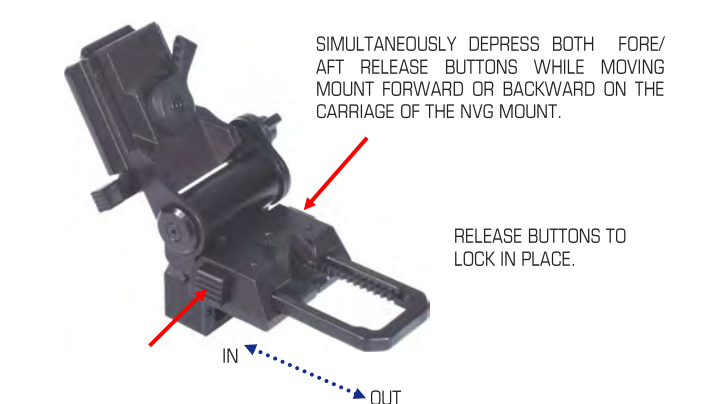
### To Adjust the Vertical Height of the Mount:



### To Adjust the Tilt Angle of the Mount:



### To Adjust the Fore/Aft Position of the NVG:



### Force to Overcome:

