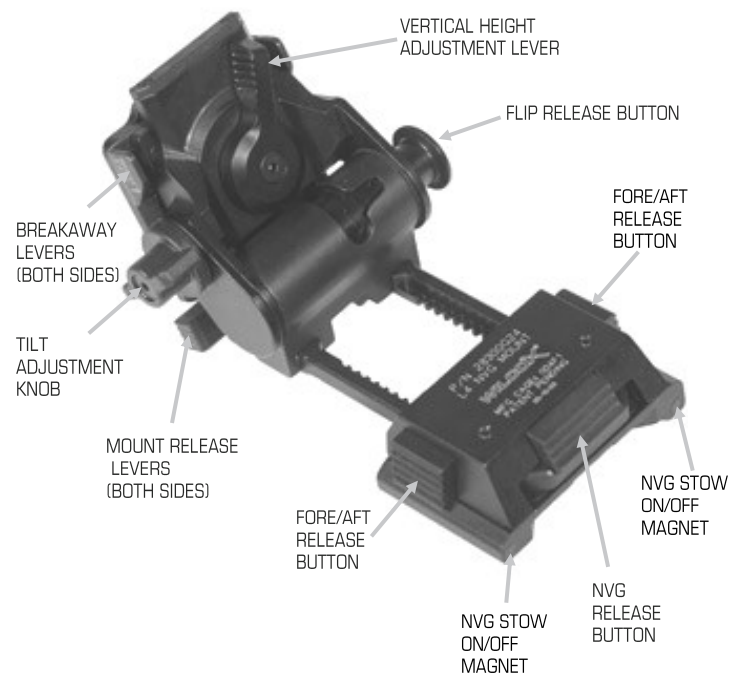


PRODUCT IDENTIFICATION



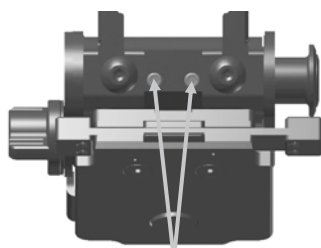
Features of the L4 G24 Mount

CARE AND MAINTENANCE

Clean the Mount by flushing away dirt with fresh water and/or wiping down the assemblies with a clean, damp cloth. If used in a salt water environment, flushing with fresh water and drying after use is recommended. If used extensively in a salt water environment, lightly lubricate stainless steel parts as needed.

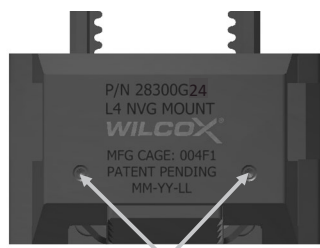
Vertical and horizontal adjustment and release mechanisms that are not kept free from debris may bind, and the assembly may not lock the mount into the up or down position. Lubricate lightly as needed.

Check Tilt Adjustment and NVG Interface for any play in the mechanisms. If necessary, tighten the screws with a Hex Driver,



INSERT 1/16 HEX DRIVER TO ADJUST; CCW TO LOOSEN, CW TO TIGHTEN

Tightening Tilt Adjustment Screws



INSERT .050 HEX DRIVER TO ADJUST; CCW TO LOOSEN, CW TO TIGHTEN

Tightening NVG Interface Screws

WARRANTY STATEMENT

THIS WARRANTY LANGUAGE SUPERSEDES ANY PURCHASE ORDER/ AGREEMENT WITH ANY RESELLER OR OEM. WILCOX INDUSTRIES CORP SPECIFICALLY DOES NOT AGREE TO ANY WARRANTY LANGUAGE OR TERMS THAT CONFLICTS WITH THE FOLLOWING:

Warranty for Wilcox products is honored for items purchased directly from Wilcox or an authorized dealer only. Items purchased via eCommerce such as Ebay, Craigslist and other online marketplaces are not eligible for the Wilcox warranty.

Based on the Magnuson-Moss Warranty Act, Wilcox Industries Corp. offers no express warranty on its product line. However, Wilcox Industries Corp. recognizes its obligation concerning implied warranty. Wilcox Industries Corp. will not warranty any Wilcox Industries Corp. mount failure if the Wilcox Industries Corp. Mount is not utilized with the specifically-designed and matched Wilcox Industries Corp. branded Shroud. Any reseller of Wilcox Industries Corp. Shrouds and mounts are required to accept responsibility for assuring no after-market pieces are utilized in combination with Wilcox Industries Corp. mounts, which could damage the Wilcox Industries units. Use of any after-market shroud(s) specifically voids any warranty by Wilcox Industries Corp. mount(s). Liability for damages to Wilcox Industries Corp. mount(s), and the resulting requirement by the End User to repair or replace, shall fall on the reseller in the event that adherence to this stipulation has failed. All requests for warranty replacement or repairs shall come directly from the end user, following the instructions below.

Wilcox Industries Corp. mounts will be serviced or replaced in accordance with the following schedule, at no cost to the purchaser for defects in materials or workmanship. Shipment will be made via UPS ground, prepaid to any continental United States destination.

NVG Filter Covers	90 days
Mount Accessories and NVG Lanyards	1 year
Mounts (Unless otherwise specified)	5 year
Mount with Electrical Systems	1 year

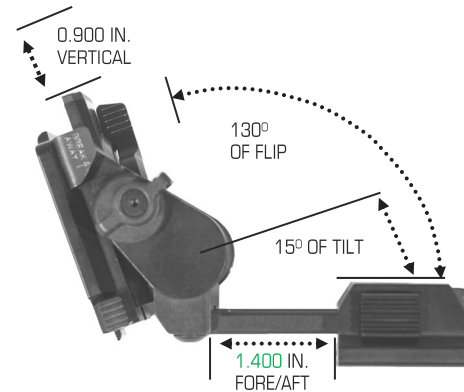
Wilcox Industries Corp. must be contacted to assign a Return Merchandise Authorization Number (RMA) prior to return shipment. To expedite return, repair, and/or replacement of the mounts purchased under a military contract Wilcox Industries Corp. will accept any package at the address below, clearly marked:

Wilcox Industries Corp.
RMA# _____
One Wilcox Way
Newington, NH 03801
603-431-1331

Be sure to retain your packing list as proof of delivery date when making a warranty claim. If proof of delivery acceptance is not available, the warranty period shall start from the date of manufacture that is laser engraved on the mounts. Warranty is void if date of manufacture is defaced.

The mounts should be securely packaged, accompanied by a letter including sender's name, address, day time phone number, date of purchase, date of manufacture, lot number and description of the problem or work to be performed.

ADJUSTMENT RANGES



Manufactured by:



Wilcox Industries, Corp.
One Wilcox Way
Newington, NH 03801-7816
Phone: 888-8WILCOX
603-431-1331
Fax: 603-431-1221



WWW.WILCOXIND.COM

For troubleshooting service questions, contact Wilcox between 8am and 5pm EST.

When performing operations that could cause entanglement, ensure that the break away feature is not obstructed in any way.

WARNING

GENERAL SAFETY WARNINGS

OPERATION AND MAINTENANCE INSTRUCTIONS FOR THE

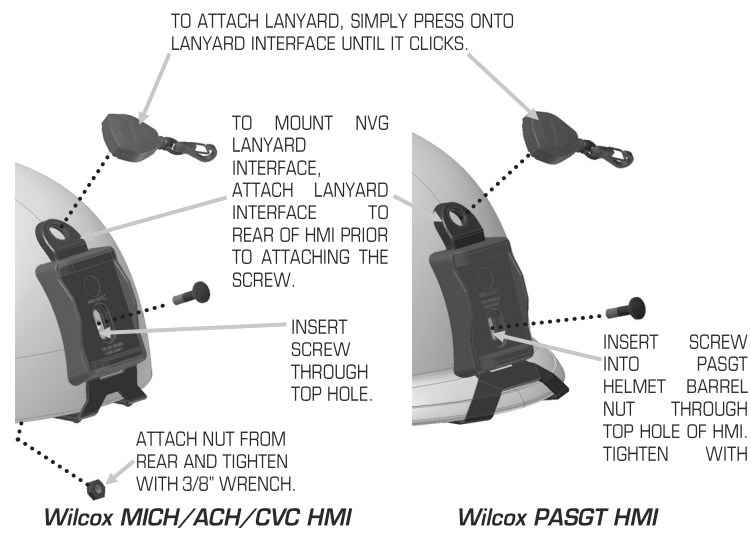
L4 G24 Family of Breakaway Lever Mounts
CAGE: 004F1



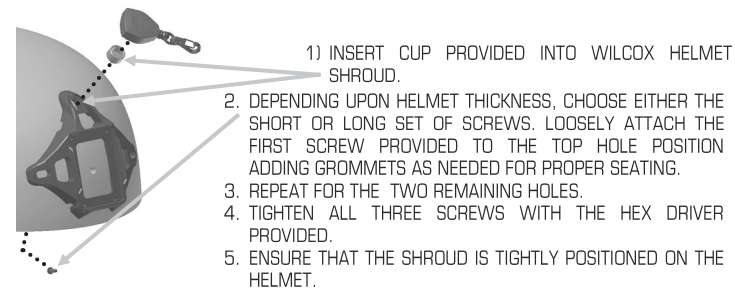
© 2009-2020 Wilcox Industries Corp. All rights reserved. Printed in USA. US Patents 7,219,370, 8,739,313, 9,709,792, 9,775,395 and 10,264,840. Other US and foreign patents pending. Wilcox®, Mount Up!® and the Wilcox "X" Logo are federally registered trademarks of Wilcox Industries Corp. All other trademarks and registered trademarks in this manual are the property of their respective companies. Specifications and other data are subject to change without notice. **EAR Controlled: Commerce license may be required for export or re-export.**

INSTALLATION

To Attach the L4 G37 Helmet Mount Interface (HMI) to the Helmet



To Attach the Wilcox Three-Hole HMI and Optional Lanyard to the Helmet



To Attach the (Optional) Ratchet Strap to the Helmet:

(MICH/ACH/CVC DEPICTED)



To Detach the Optional Ratchet Strap from the Helmet:

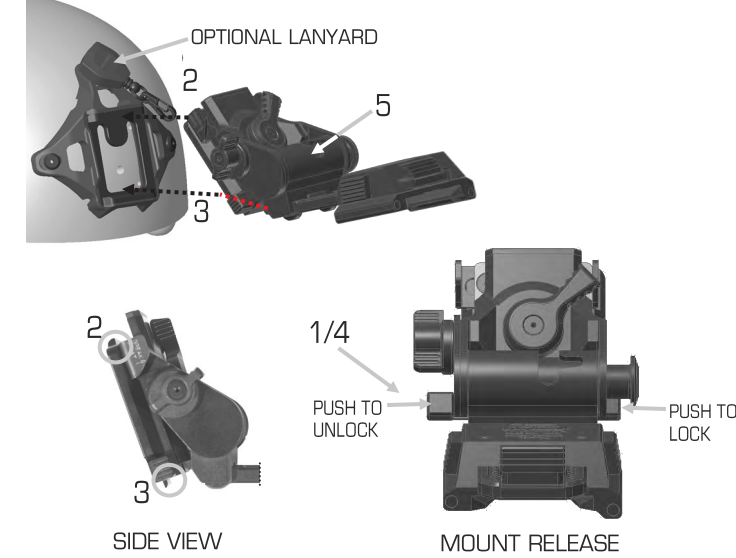
(MICH/ACH/CVC DEPICTED)



To Attach the NVG Mount:

(HMI DEPICTED)

1. SLIDE THE MOUNT RELEASE LEVER TO THE LEFT USING THE RIGHT THUMB TO UNLOCK THE MOUNT RELEASE.
2. INSERT THE TOP MOUNTING GUIDE.
3. ROTATE THE MOUNT DOWNWARD UNTIL IT SEATS.
4. SLIDE THE MOUNT RELEASE LEVER TO THE RIGHT USING THE RIGHT FOREFINGER TO SECURE.
5. PRESS THE MOUNT FIRMLY AT THE BASE TO SEAT, ALLOWING THE MOUNT TO ACHIEVE ITS POSITION.



To Detach the NVG Mount:

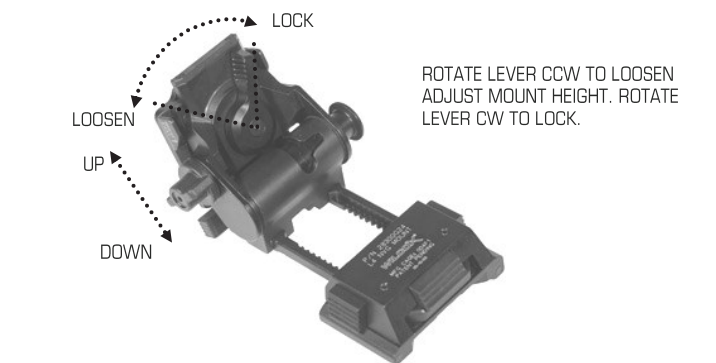
1. SLIDE THE MOUNT RELEASE LEVER TO THE RIGHT USING THE RIGHT FOREFINGER TO UNLOCK THE MOUNT RELEASE (SEE "1", ABOVE).

To Attach a NVG to the Wilcox NVG Mount:

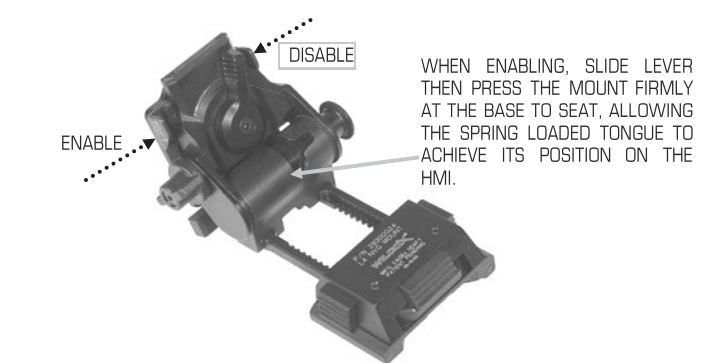


OPERATION

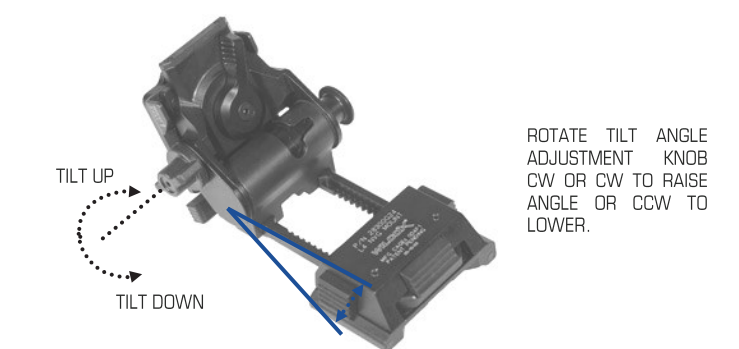
To Adjust the Vertical Height of the Mount:



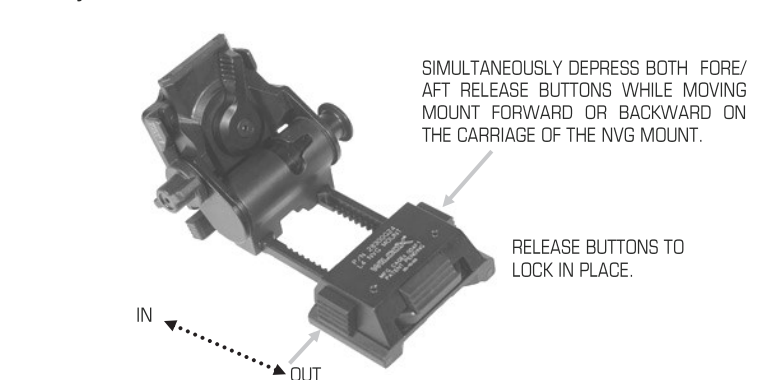
To Enable or Disable the Breakaway Feature:



To Adjust the Tilt Angle of the Mount:



To Adjust the Fore/Aft Position of the NVG:



Force to Overcome:

