

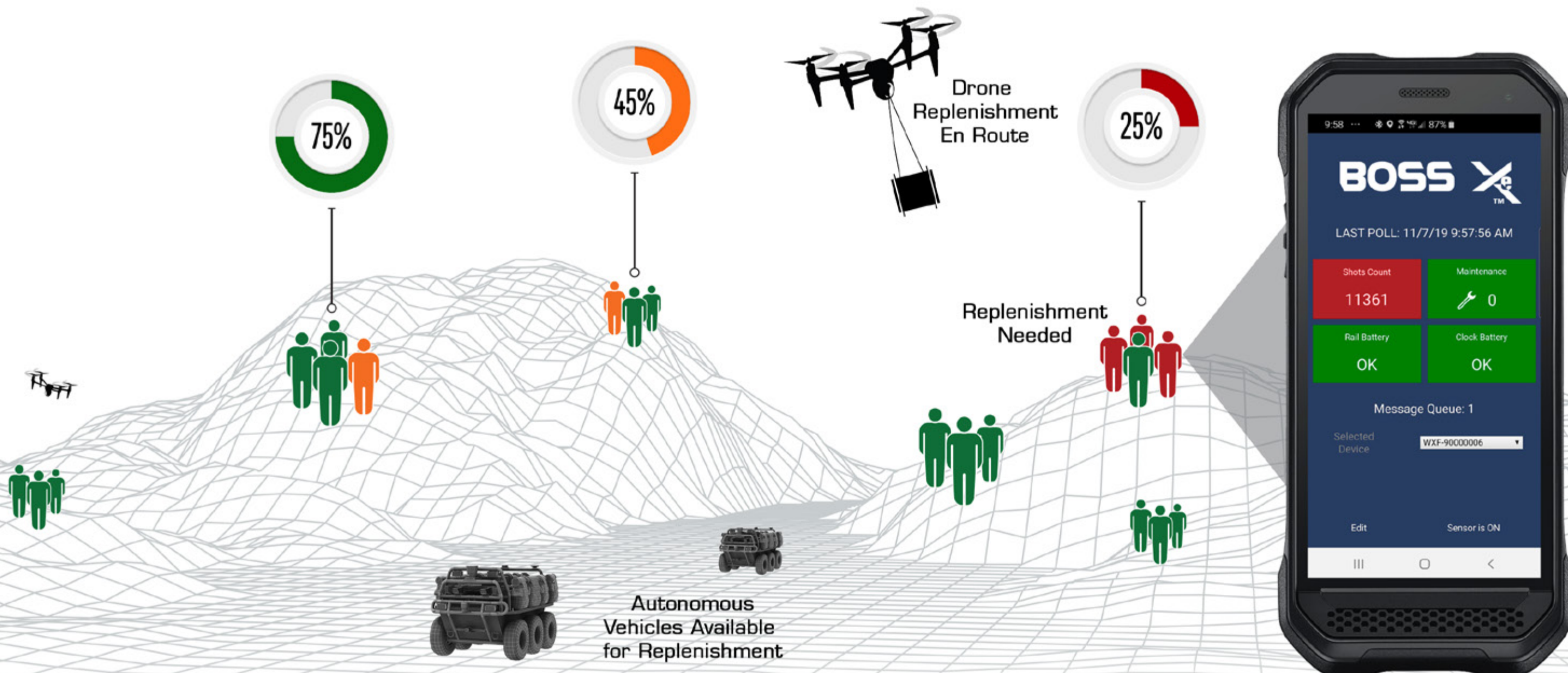
WILCOX[®]



Xe P R O D U C T B R O C H U R E

OPERATIONAL SUSTAINMENT

BY BLUEFORCE DEVELOPMENT



Battlefield, disaster response, and public safety sustainment is both an art and science; it's about synchronizing, integrating, and transporting commodities in a highly "just-in-time" manner to provide maneuver and incident commanders with freedom of action, extended operational reach, and prolonged endurance. As it turns out, the "science" of sustainment is not terribly difficult as it is grounded in basic math and computation, based on real-time data from the operational space. A fire team deploys with X amount of ammunition multiplied by the number of soldiers on a fire team, and then an ability to monitor ammunition consumption in real-time. The same calculus can be made for food, water, fuel, medical necessities, and nearly every other class of supply.

The "art" of sustainment is about considering how the tactical or incident response environment affects logistics and resupply. The "cog" at the center of the autonomous replenishment machine is data and situational awareness, fed by an array of IoT sensors (body worn and proximate) and stream analytics to anticipate resupply needs. Using a very simple example, a vehicle that takes X amount of petrol may be started early to warm up on a cold day which will require additional fuel sooner. Similarly, on a hot day with soldiers experiencing an accelerated operational tempo will drive faster and more acute need for resupply of water. Core to the discussion of "art", is all channel access to IoT, GIS, and environmental data, but also recognitional support "services" in the form of rules and AI.

Wilcox Industries, has partnered with Blueforce Development Corporation and Thunderbolt Solutions to develop a packaged capability for operational sustainment based on deployed fire teams using certain [Wilcox Xe Products](#) and the [Wilcox FUSION System](#). These products house an integrated maintenance counter which monitors the number of rounds fired as well as barrel temperature and other rail sensors and moves weapon data using [BlueforceTACTICAL](#) (BTAC) where the data is shared amongst the fire team and their commander but is also shared with the Wilcox Armorers Module in an armory. Data is also monitored in real-time by Blueforce's new Autonomous Orchestration Plugin for [BlueforceEDGE](#), which monitors a wide array of soldier systems to include the Wilcox FUSION System, Wilcox Xe Products, physiological wearables,

CBRN, laser rangefinders/targeting, and others for single-variant and multi-variant threats. The Plugin contains sets of business rules that can detect active engagement and shot counts, but also looks across an entire deployed fire team versus a single operator. On certain thresholds, the Plugin can launch autonomous drones, track vehicles, or other for resupply and/or over-watch.

IN PARTNERSHIP WITH:
blueforce DEVELOPMENT **THUNDERBOLT**



SEE BTAC IN ACTION



BTAC
**NETWORKED
 ENABLED CAPABILITY**

SENSOR TO SHOOTER ADVANTAGE

- Providing actionable, task relevant information to and from networked teammates.
- Shot counter: Monitors shot count which is shared in real time with other users and the Armorer's Module for BlueforceCOMMAND.
- Temperature monitoring: Monitors weapon temperature and can forward based on high and low thresholds.
- Health/power: Monitors and reports maintenance flags or issues as part of the movement of shots, temperature, and location.
- Orthogonal sensor cueing allows the Wilcox BOSS Xe Plugin for BTAC to communicate with other BTAC plugins allowing image capture enabled sights to pass images to BTAC Cognitive Services Plugin for identification and real-time sharing.
- Offline queue: BTAC will hold presence packets when connectivity is denied. When BTAC sees an approved network, it forwards packets cached during offline operations.
- Network friendly Selective synchronization: Plugin may be configured to send ALL shot records, OR, only send those where shot count and/or temperature changes.

Learn more about BTAC's unique capabilities.



BALLISTICALLY OPTIMIZED SIGHTING SYSTEM - ENHANCED - HIGH POWER

- 123
- ☀
- ☀
- ▲
- ▶
- ⌂
- 👤
- 🔒
- 📷
- 📶
- 📶



OVERVIEW

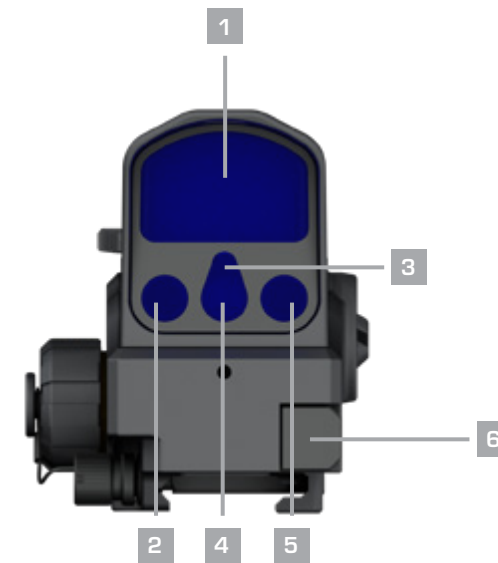
The BOSS Xe™ [Ballistically Optimized Sighting System – Enhanced] is a class 3B high power compact, ergonomic, laser aiming sighting system that is ideal for short barrel weapon platforms such as the SIG Rattler. The BOSS Xe has a unique optical bench that achieves the highest standard of performance while giving the operator tremendous flexibility.

Military and law enforcement including special forces and SWAT require connectivity, personalization, and varying degrees of visibility to overcome unique challenges in combat environments that require maximum discretion. The BOSS Xe's multi-function attributes are focused on providing operator's flexibility and customization to minimize engagement times, optimal target acquisition and engagement, and overall mission success. The BOSS Xe LP (Low Power) is also available

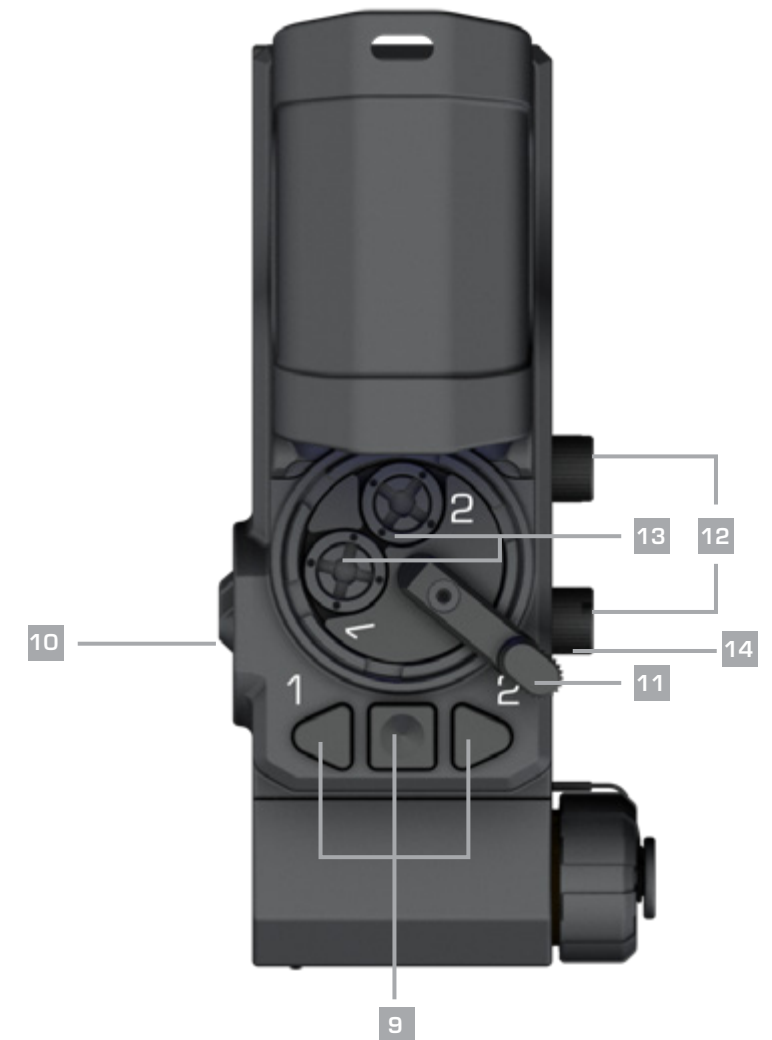
www.wilcoxind.com/BOSS-Xe

Available Colors: ■-B

PRODUCT DESCRIPTION	PART NUMBER
BOSS Xe - HIGH POWER RED LASER	64000G23
BOSS Xe - HIGH POWER GREEN LASER	64000G24
BOSS Xe - LOW POWER RED LASER	64000G22



OFF CANT INDICATOR



FEATURES & BENEFITS

- | | |
|---------------------------------------|---|
| 1. Reflex Sight | 9. Reflex/Laser/Illuminator Brightness Control |
| 2. NIR Laser | 10. Mode Selector Switch |
| 3. NIR room Illuminator | 11. Trajectory Switch |
| 4. NIR fixed Illuminator | 12. Shock Nuts Picatinny Mount |
| 5. Red/Green VIS Laser | 13. Elevation Adjustment for Zero Presets 1 & 2 |
| 6. Remote Control Activation Pad Port | 14. Windage Adjustment (not visible) |
| 7. Built-in Back Up Iron Sights | |
| 8. Battery Compartment | |



WATCH THE RAID Xe DEEP DIVE



RUGGEDIZED AIMING/ILLUMINATION DEVICE - ENHANCED - HIGH POWER



OVERVIEW

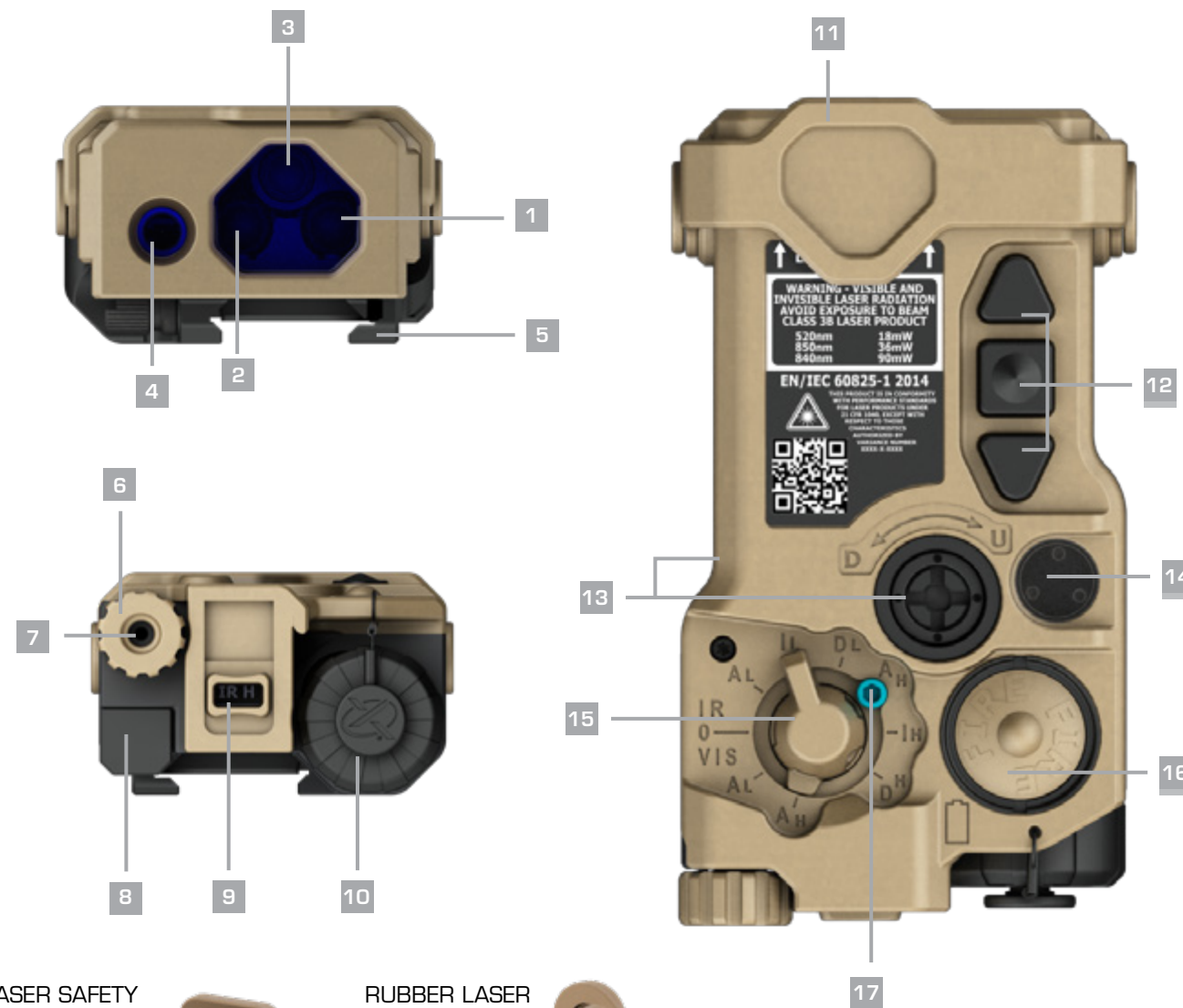
The RAID Xe™ (Enhanced Ruggedized Aiming/Illumination Device) is the culmination of years of operator feedback and leading-edge technical advancements. The result is a compact, ergonomic aiming and illumination device with a uniquely rich feature set that achieves the highest standard of optical performance.

Military and law enforcement including special forces, SWAT and security personnel, face an array of unique challenges in low or no light environments where quick target acquisition and identification are required. As a class 3B high power laser aiming device, The Wilcox RAID Xe represents a complete, robust solution for any operator requiring a high degree of awareness, flexibility and accuracy to ensure mission success. The RAID Xe LP (Low Power) is also available.

www.wilcoxind.com/RAID-Xe

Available Colors: -C -B

PRODUCT DESCRIPTION	PART NUMBER
RAID Xe - HIGH POWER RED LASER	65300G14
RAID Xe - HIGH POWER GREEN LASER	65300G18
RAID Xe - LOW POWER RED LASER	65300G12



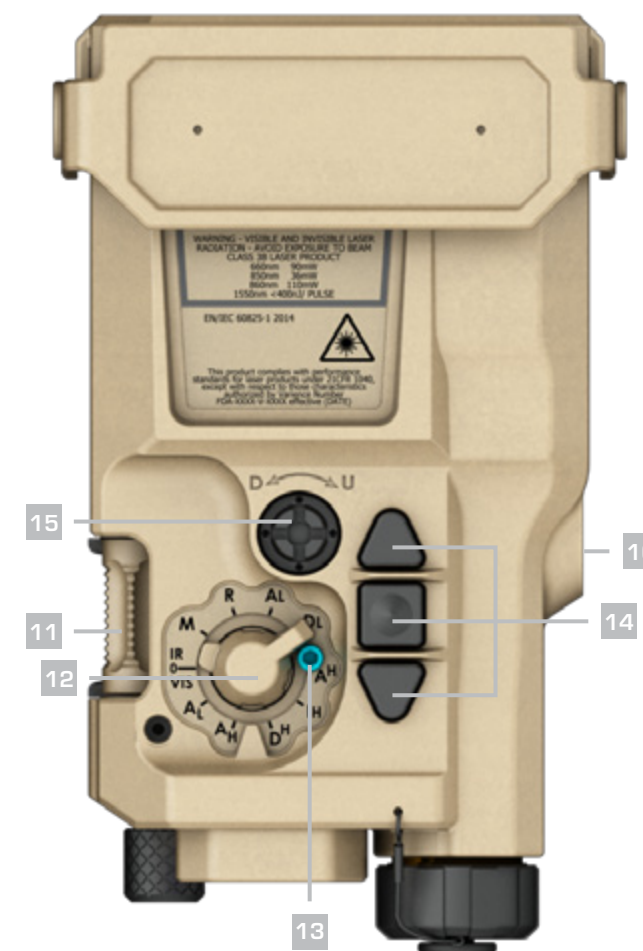
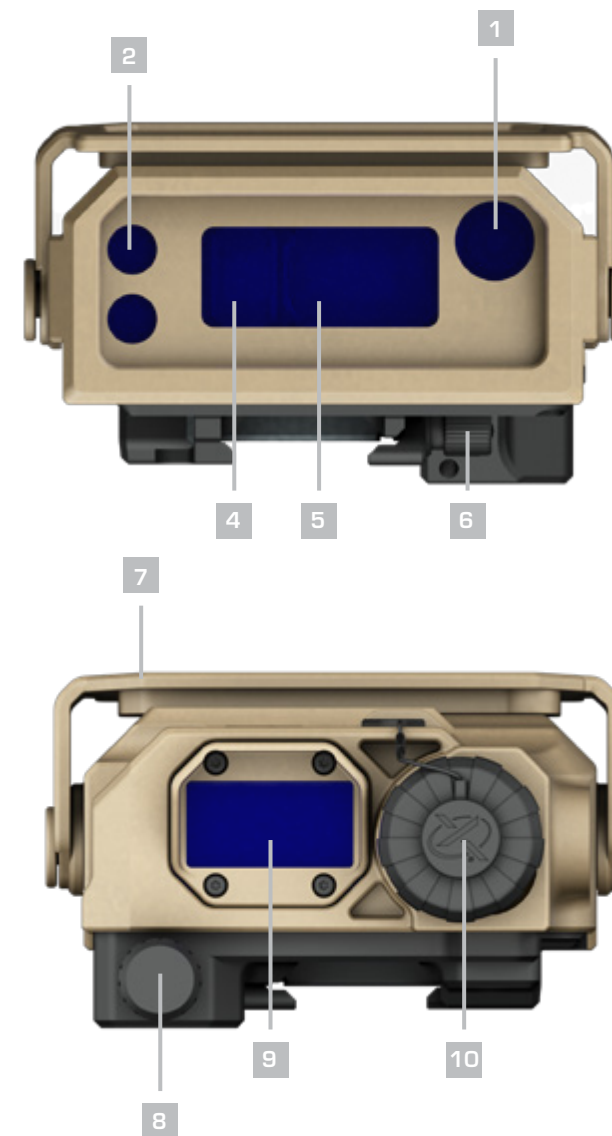
FEATURES & BENEFITS

- | | |
|---------------------------------------|--|
| 1. Red/Green VIS Laser | 10. Battery Compartment |
| 2. NIR Laser | 11. Laser Safety Cover |
| 3. NIR Variable Illuminator | 12. Laser/Illuminator Output Adjustment |
| 4. NIR fixed Room Illuminator | 13. Windage (not visible)/Elevation Adjustment |
| 5. MIL-STD-1913/NATO STANAG Interface | 14. Display Light Sensor/Programming Port |
| 6. NIR Illuminator Divergence Knob | 15. Mode Selector Switch |
| 7. High Power Lockout Screw Storage | 16. FIRE Activation Button |
| 8. Remote/Pressure Pad Port | 17. High Power Lockout Screw |
| 9. OLED Display | |



RAPTAR X[®]

RAPID TARGETING & RANGING MODULE



BTAC NETWORKED ENABLED CAPABILITY

SENSOR TO SHOOTER ADVANTAGE

- Providing actionable, task relevant information to and from networked teammates.
- Decentralized fusion and sharing of data from diverse sensors, processed with advanced third party AI
- Share target data on a need to know basis over tactical networks to other elements involved in an operation.
- Orthogonal sensor cueing allows the Wilcox RAPTAR Xe Plugin for BTAC to communicate with other BTAC plugins allowing image capture enabled sights to pass images to BTAC Cognitive Services Plugin for identification and real-time sharing.
- HyperLocal alerting capabilities can inform operators of relevant tactical information based on their location, competencies, and available resources.
- Connects shooters to sensors and artificial intelligence to assist operators in complex targeting scenarios that span acquisition and surveillance, identification, engagement, and handoff.

OVERVIEW

The Wilcox RAPTAR Xe™ is the next generation in the RAPTAR line of products. As a class 3B high power laser aiming device, the RAPTAR Xe is designed specifically for the military and law enforcement markets. The RAPTAR Xe provides snipers and advanced tactical shooters increased accuracy and precise engagement of targets at extremely long ranges. Compared to its predecessor, the RAPTAR Xe is a smaller, lighter, and stronger laser aiming device which significantly increases first-round hit capability. The built-in networking capabilities and user interface give the

RAPTAR Xe superior maintenance and replenishment connectivity with key auxiliary devices. These leading-edge features increase the operator's lethality and situational awareness.

www.wilcoxind.com/RAPTAR-Xe

Available Colors: -C

PRODUCT DESCRIPTION	PART NUMBER
RAPTAR Xe - HIGH POWER RED LASER	68500G01

FEATURES & BENEFITS

1. NIR Variable Illuminator
2. Red VIS laser
3. Infrared Laser
4. LRF/Laser Port
5. Range Receive Port
6. MIL-STD-1913 Interface
7. Laser Safety Hood
8. Remote Control Activation Pad Port
9. OLED Display
10. Battery Compartment
11. IR Flood Focus Wheel
12. Mode Selection Knob
13. High Power Lockout Screw
14. Fire/Input Buttons
15. Elevation Adjustment
16. Windage Adjustment

IN PARTNERSHIP WITH:





BTAC
**NETWORKED
 ENABLED CAPABILITY**

SENSOR TO SHOOTER ADVANTAGE

- Providing actionable, task relevant information to and from networked teammates.
- Shot counter: Monitors shot count which is shared in real time with other users and the Armorer's Module for BlueforceCOMMAND.
- Temperature monitoring: Monitors weapon temperature and can forward based on high and low thresholds.
- Health/power: Monitors and reports maintenance flags or issues as part of the movement of shots, temperature and location.
- Orthogonal sensor cueing allows the Wilcox MRF Xe Plugin for BTAC to communicate with other BTAC plugins allowing image capture enabled sights to pass images to BTAC Cognitive Services Plugin for identification and real-time sharing.
- Network friendly Selective Synchronization: Plugin may be configured to send ALL shot records, OR, only send those where shot count and/or temperature changes.

Learn more about BTAC's unique capabilities.



**MICRO RANGE FINDER - ENHANCED
 LOW POWER**



OVERVIEW

The Wilcox MRF Xe™ is the next generation in the MRF line of products. As a class 3R low power laser aiming device, the MRF Xe is designed specifically for the military and law enforcement markets. The MRF Xe is a smaller, lighter, stronger laser ranging device with uncompromising performance superior to its predecessor. The built-in networking capabilities and user interface give the MRF Xe superior maintenance and replenishment connectivity with key auxiliary devices. These leading-edge features increase the warfighter's lethality and situational awareness.

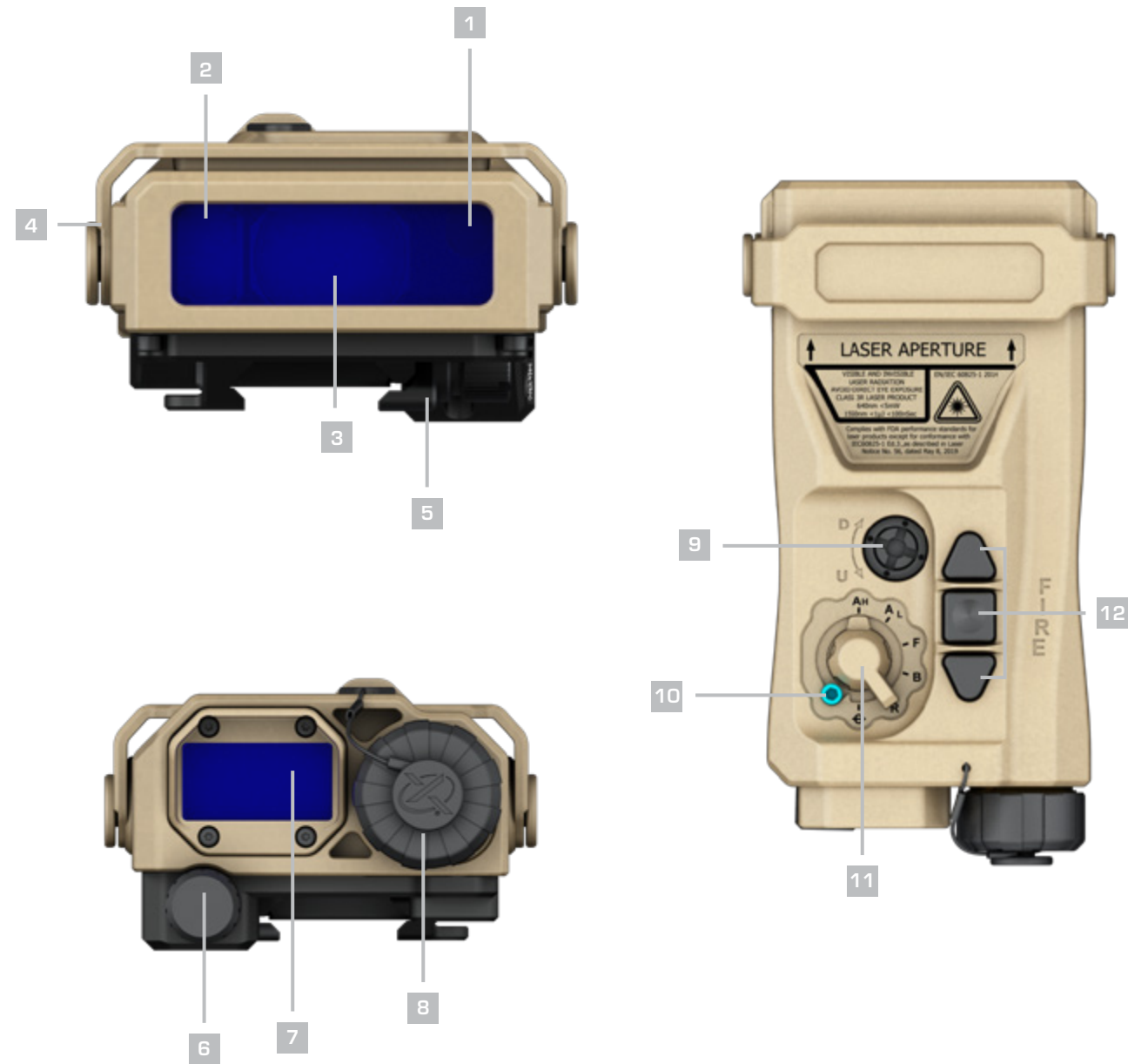
Weapon and bullet information can be entered into the MRF Xe through any paired mobile device and with the application of proprietary third party software. Once the data is entered, the MRF Xe captures both the environmental conditions transmitted from the sensor suite and the distance to the target transmitted by the precision laser range finder to the onboard computer instantly providing a ballistic solution to the user.

www.wilcoxind.com/MRF-Xe

Available Colors: -C

PRODUCT DESCRIPTION	PART NUMBER
MRF Xe - LOW POWER RED LASER	42800G10

IN PARTNERSHIP WITH:



FEATURES & BENEFITS

1. VIS Laser Pointer
2. LRF Transmitter
3. LRF Receiver
4. Laser Safety Visor
5. MIL-STD-1913 Interface
6. Remote Control Activation Pad Port
7. OLED Display/Ballistic Solver
8. Battery Compartment
9. Elevation Adjustment/Windage (not visible)
10. High Power Lockout Screw
11. Mode Selector Switch
12. Fire/Input Buttons



ERGOCTO[®] X_e

CONTROL ACTIVATION GRIP

OVERVIEW

The Wilcox ERGOCTO™ Xe™ Control Activation Grip is the next generation accessory that is ergonomically positioned for the user to control Wilcox's new line of "Xe" laser and fire control devices. The ERGOCTO Xe Control Activation Grip mounts directly to the 6 o'clock rail position of the weapon with a unique grip design which allows for up to eight radial positions of the control button by the user. This feature provides an integrated control button that has an over molded skin featuring a tactile surface that helps prevent slippage of the weapon grip when controlling the device.

www.wilcoxind.com/ERGOCTO-XE-GRIP-SINGLE
www.wilcoxind.com/ERGOCTO-XE-GRIP-DUAL

Available Colors: -C -B

DESCRIPTION	PART NUMBER
ERGOCTO Xe SINGLE CONTROL ACTIVATION GRIP - 7" CABLE	68401G11
ERGOCTO Xe DUAL CONTROL ACTIVATION GRIP - 7" CABLE	68401G12



Product Illustration -C

ERGOCTO[®] X_e

ACTIVATION KEYPAD

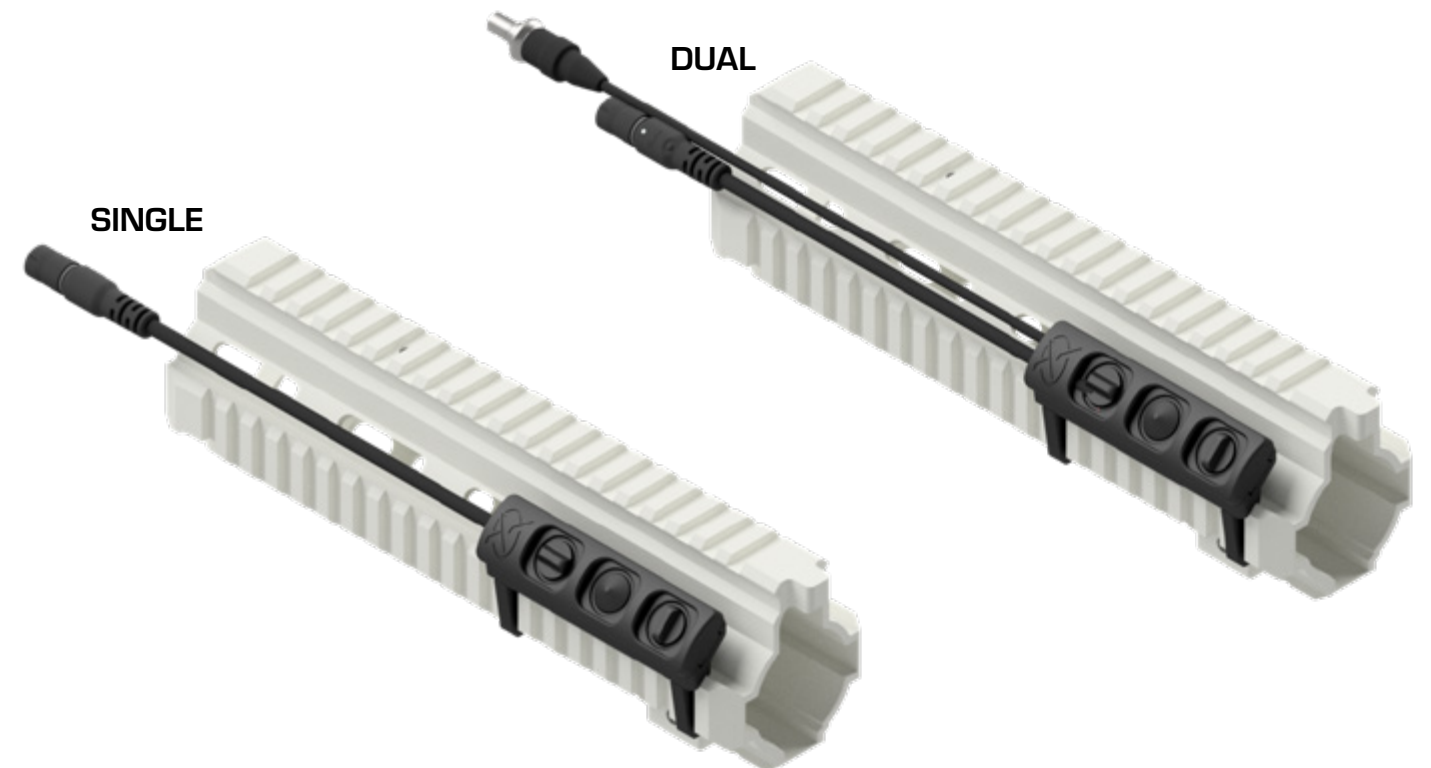
OVERVIEW

The Wilcox ERGOCTO™ Xe™ Activation Keypad is the next generation accessory that is ergonomically positioned for the user to control Wilcox's new line of "Xe" lasers and fire control devices. The ERGOCTO Xe Activation Key Pad is mounted directly to any MIL-STD-1913 rail and can be positioned in-between the quadrant rails of most rifle handguards thereby preventing loss of the weapon grip when activating a device. The attachment mechanism of the ERGOCTO Xe Activation Key Pad features a very low-profile stance on the rail which does not interfere with the user's natural positioning of the pressure pad when handling a weapon. The ERGOCTO Xe Activation Key Pad is available in two configurations: single cable configuration that connects securely to Wilcox laser products (included with our Xe line of products) or a dual connector cable configuration that connects to the Wilcox Laser products and the other connects to any Surefire flashlight product that has the tail-cap interface.

www.wilcoxind.com/ERGOCTO-XE-PAD-SINGLE
www.wilcoxind.com/ERGOCTO-XE-PAD-DUAL

Available Colors: -B

DESCRIPTION	PART NUMBER
ERGOCTO Xe SINGLE 3 BUTTON ACTIVATION KEYPAD - 12" CABLE	68401G01
ERGOCTO Xe DUAL 3 BUTTON ACTIVATION KEYPAD - 12" CABLE	68401G03



DRONE



POTENTIAL THREAT



BTAC[®]



PREDICTIVE MAINTENANCE

Wilcox weapons system data can be shared in real time with Wilcox Armorer's Module, a pluggable module for BlueforceCOMMAND, and the authoritative application for service and predictive maintenance.

AUTONOMOUS REPLENISHMENT

Because BTAC and the Wilcox Plugin for BTAC are constantly monitoring weapons systems across a team, autonomous delivery platforms can be cued for just-in time field replenishment.

FORCE READINESS

The Wilcox Armorer's Module not only drives supply chain value, but can also provide awareness of force readiness and can display weapon location and status.

TACTICAL AWARENESS

Real-time shared awareness of oxygen and PPE operating modes, environmental data, maintenance counters, barrel temperature, and maintenance status of Wilcox devices shared in real-time amongst the team and command.

BTAC COMMAND CENTER



FUSION SYSTEM

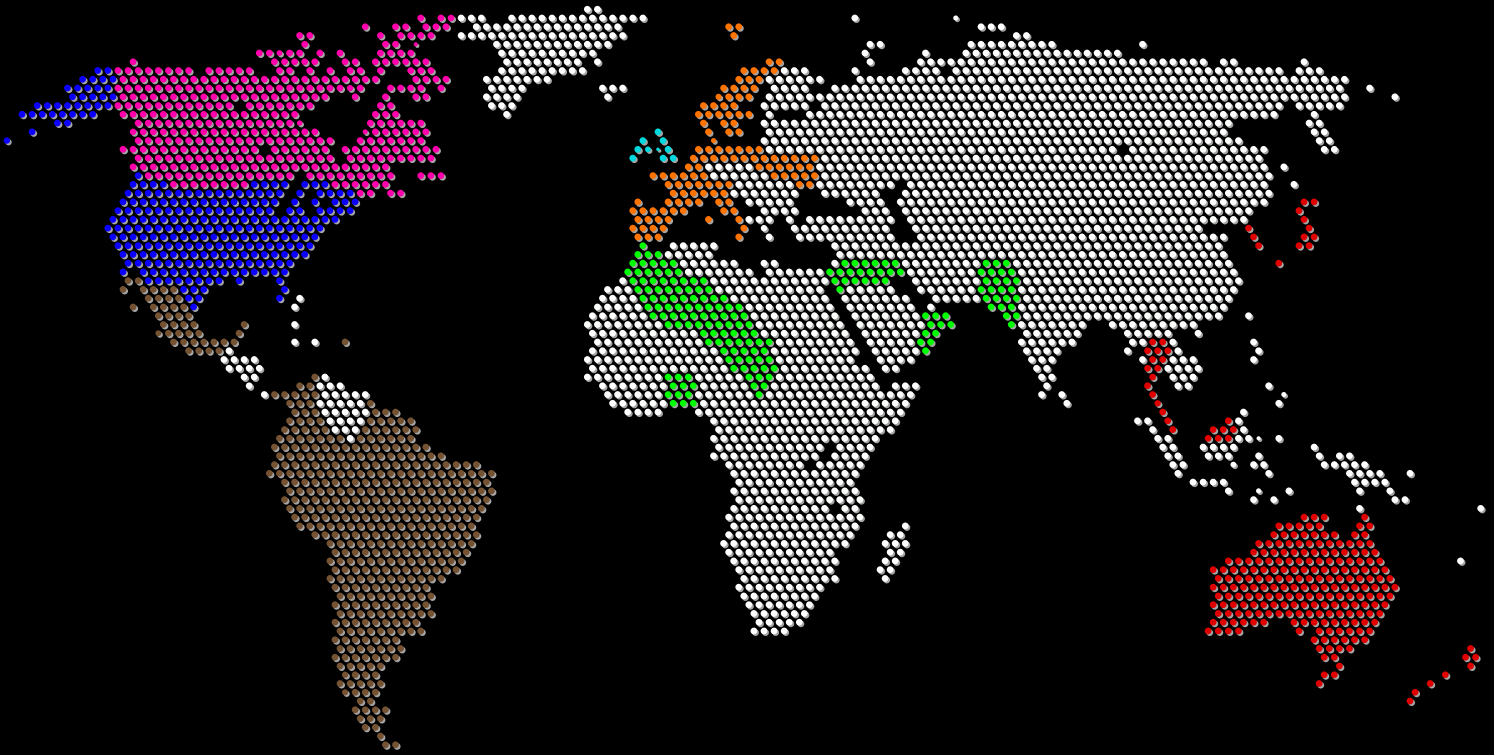
FUSION SYSTEM[™]





GLOBAL MASTER DISTRIBUTION NETWORK

Wilcox has an extensive list of Dealers and Master Distributors around the world. Visit wilcoxind.com/contact to view our entire Master Distributors list segmented by region.



WILCOX INDUSTRIES CORP. ONE WILCOX WAY NEWINGTON, NH 03801 USA

PHONE: 603.431.1331 FAX: 603.431.1221

WWW.WILCOXIND.COM



©2024 Wilcox Industries Corp. All rights reserved. Printed in USA. U.S. and foreign patents pending. The WILCOX logo, "X" icon and ERGOCTO are Federally Registered Trademarks of Wilcox Industries Corp. BTAC is a registered trademark of Blueforce Development Corp. Wilcox FUSION SYSTEM, RAID Xe, BOSS Xe, BOSS Mx, MRX Xe, RAPSTAR Xe, Xe, "Modular By Design" and "Our Customer's Life Depends On It" are all trademarks of Wilcox Industries Corp. All other Trademarks and Registered Trademarks are properties of their respective companies. This brochure does not constitute an offer or commitment to sell. Specifications and other data are subject to change without notice. | Technical Data regulated and restricted by the EAR, U.S. Department of Commerce license may be required for export or re-export. | Export of certain products are regulated by the U.S. Department of State and U.S. Department of Commerce in accordance with guidelines of ITAR per Title 22, Code of Federal Regulations, Parts 121-128. | U.S. Food and Drug Administration restricts the sale of high powered lasers to military and law enforcement agencies only.